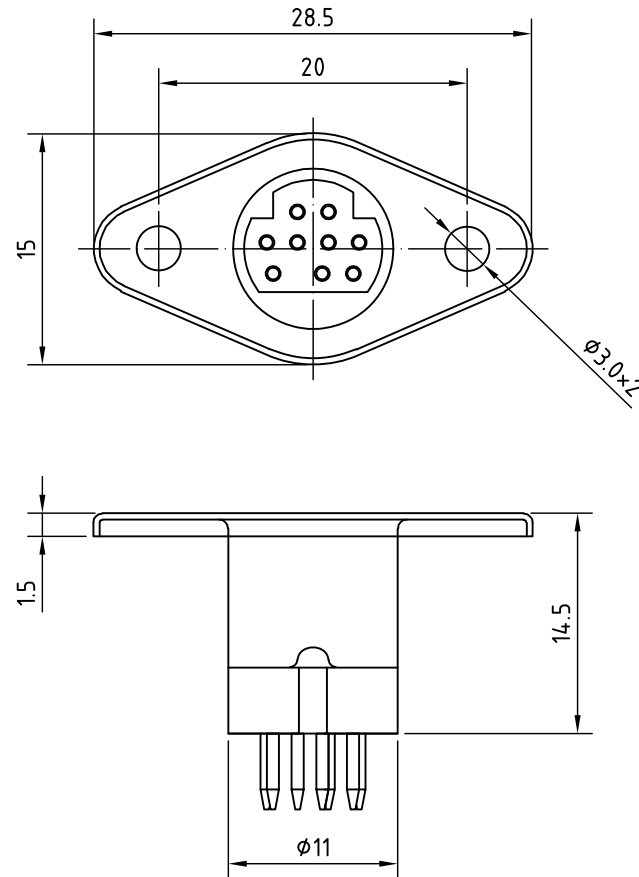


REV.	Description	Date
1	upgrade drawing	2016/10/7
2	plastic core shape revise	2020/5/15



Specification:

1. Current carrying capacity: 12V DC 2A max.
2. Contact resistance: 30mΩ max.
3. Insulation resistance: DC 250V 50MΩ min.
4. Dielectric strength: AC 250V / 1 minute
5. Insertion force: 4.5kgs max.
6. Withdrawal force: 0.9-3Kgs

3	Terminal	Brass/Tin plated
2	Plastic core	ABS
1	Metal body	SPCC/Nickel plated
Item	Description	Material&Plating

RoHS
TOLERANCE X±0.5 .X±0.3



Unicable Co., Ltd. 國陽電業有限公司

5F., No. 111-33, Sec. 4, San Ho Road., San Chung Dist., New Taipei City, Taiwan
http://www.unicable.com.tw Tel:+886-2-2286-2122 Fax:+886-2-2286-1010

DATE	2020/5/15	PART NO.	UT-AS902-9P
DWN	GINA	REV.	2
CHK			
UNIT	MM		

ITEM

Mini Din Connector Socket